

KOLLU PANO KİLİTLERİ

SWING HANDLES

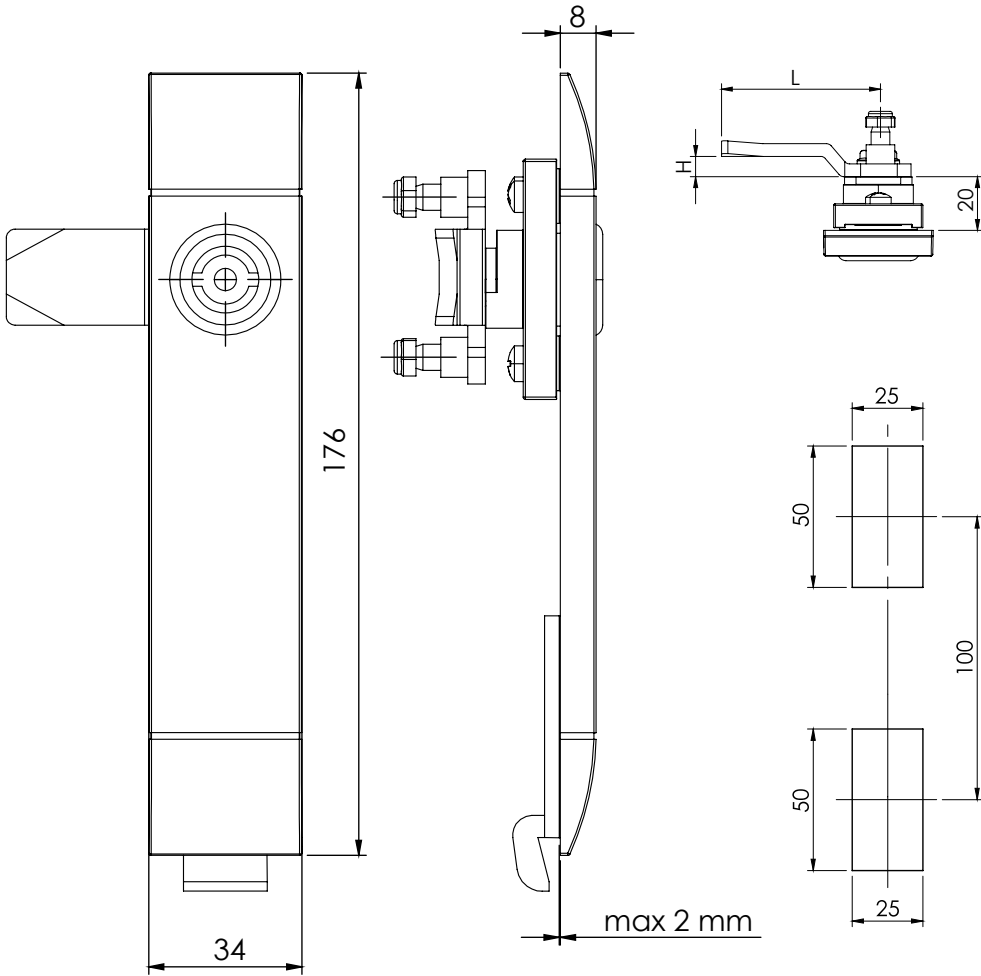
IP65

L / R



Pano Kilidi / Swing Handle

006



Kod
Code

006

Barel
Cylinder

CC

Dil
Cam

CM

KULLANIM ALANLARI:

Elektrik Panoları, Makine Kapakları,
Bilgisayar Kabinleri

APPLICATIONS:

Electric Panels, Machinery Covers,
Rack Cabinets

BAREL / CYLINDER (CC)

	5 mm / DB	8 mm Kare / Square	9 mm Üçgen / Triangle
11		23	18

İSP. TIRNAKLI DİLLER / CAMS FOR ROD CONTROL (CM)

	CODE	03	020	053	054	055	064
	H	8	0	0	12	4	0
	L	49	51	60	54	52	55

TIRNAKLI DİLLER / CAMS WITH STOPPER (CM)

	CODE	01	02	05	06	07	08	09	010	019	043	045	046	086
	H	14	24	0	16	6	12	0	7	0	0	4	10	6
	L	48	48	46	46	52	50	54	44	64	44	43	48	62

MALZEME / MATERIAL

GÖVDE BODY	Poliamid Polyamide
BAREL INSERT	Zamak Zinc Die
DİL CAM	Çelik Steel
CONTA SEAL	Poliüretan Polyurethane