

# İSPANYOLET KOLLU PANO KİLİTLERİ

## SWING HANDLE LOCKS WITH ROD CONTROL SYSTEM

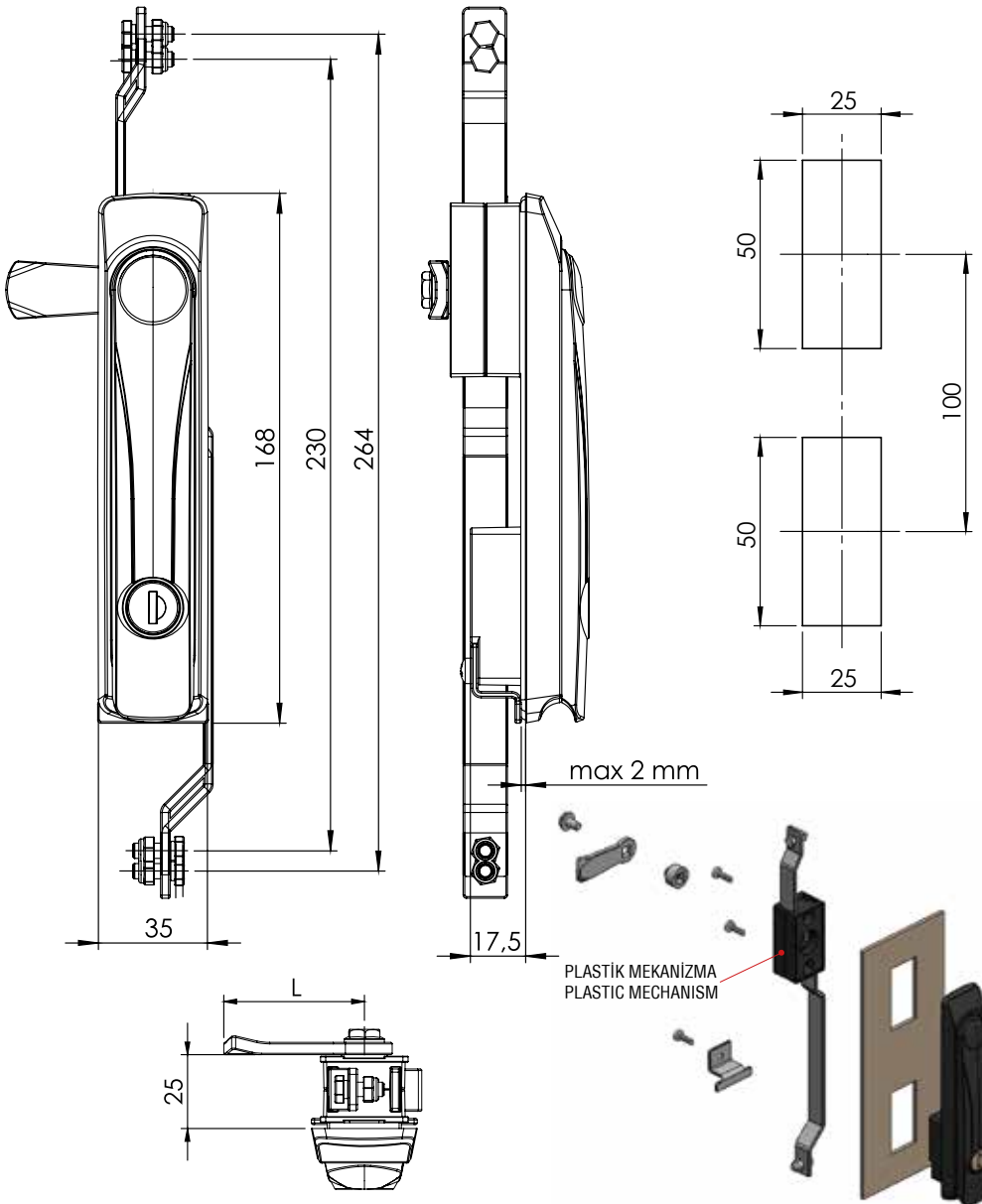
IP65

L / R



Kollu Pano Kilidi / Swing Handle

018



Asma Kilit  
Padlock Device Selectable

### KULLANIM ALANLARI:

Elektrik Panoları, Makine Kapakları,  
Bilgisayar Kabinleri

### APPLICATIONS:

Electric Panels, Machinery Covers,  
Rack Cabinets

|             |                        |                   |            |                                   |
|-------------|------------------------|-------------------|------------|-----------------------------------|
| Kod<br>Code | Mekanizma<br>Mechanism | Barel<br>Cylinder | Dil<br>Cam | Asma Kilit için<br>Padlock Device |
| <b>018</b>  | <b>M</b>               | <b>CC</b>         | <b>CM</b>  | <b>A</b>                          |

| MEKANİZMA / MECHANISM | CODE |
|-----------------------|------|
| Zamak / Zinc Die      | M1   |
| Poliamid / Polyamide  | M2   |

| BAREL / CYLINDER TYPE (CC)                     | CODE |
|--|------|
| Aynı Şifreli / Keyed Alike                     | 01   |
| Farklı Şifre / Keyed Different                 | 02   |
| Eurokey (1333)                                 | 03   |
| 405 Aynı Şifre (Birbirini Açar)<br>Keyed Alike | 41   |
| 455 Aynı Şifre (Birbirini Açar)<br>Keyed Alike | 42   |

| BAREL / CYLINDER TYPE (CC) | CODE                     |
|----------------------------|--------------------------|
| 33                         | 5 mm / DB                |
| 34                         | 8 mm / Kare<br>Square    |
| 35                         | 8 mm / Üçgen<br>Triangle |

| TIRNAKSIZ DİLLER / CAMS WITHOUT STOPPER (CM) | CODE   |
|--|--|
| H  | 01 02 05 06 07 08 09 010 019 043 045 046 086 |
| L  | 14 24 0 16 6 12 0 7 0 0 4 10 6               |
| L  | 48 48 46 46 52 50 54 44 64 44 43 48 62       |

| MALZEME / MATERIAL     | CODE   |
|------------------------|--|
| GÖVDE<br>BODY          | Poliamid<br>Polyamide                        |
| KOL<br>HANDLE          | Poliamid<br>Polyamide                        |
| MEKANİZMA<br>MECHANISM | Zamak veya Poliamid<br>Zinc Die or Polyamide |
| DİL<br>CAM             | Çelik<br>Steel                               |
| CONTA<br>SEAL          | Poliüretan<br>Polyurethane                   |