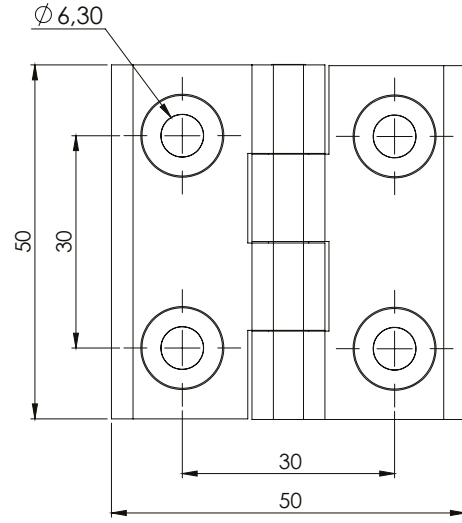


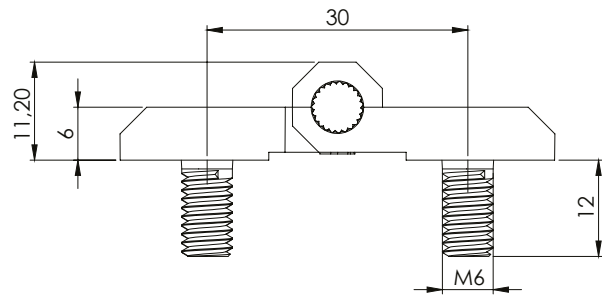
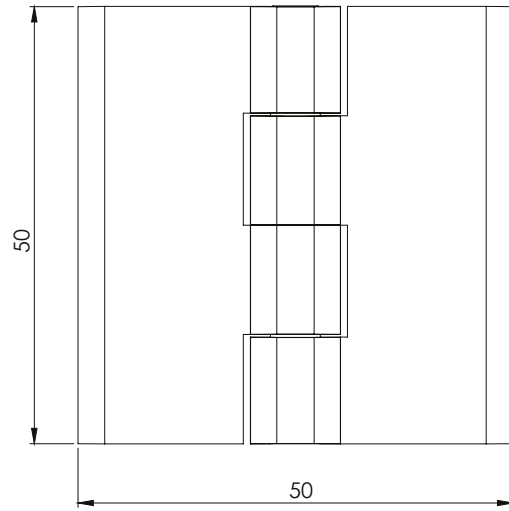
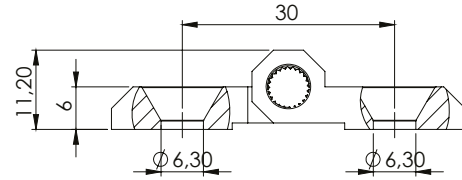
318SS

50x50 Yaprak Mentеше / 50x50 Leaf Hinge



VERSION

V1



VERSION

V2

Kod
Code

318SS

Version

V

KULLANIM ALANLARI:

Elektrik Panoları, Makine Kapakları,
Bilgisayar Kabinleri

APPLICATIONS:

Electric Panels, Machinery Covers,
Rack Cabinets

MALZEME / MATERIAL

GÖVDE BODY	Paslanmaz AISI 316 Stainless Steel
---------------	---------------------------------------