

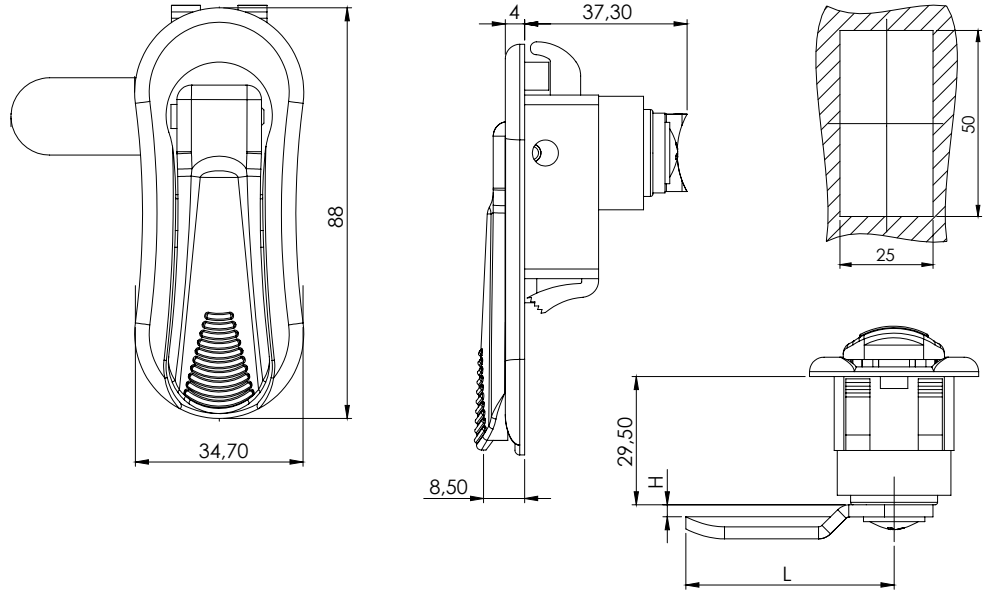
**030**

Fonksiyonel Kilit / Lift and Turn Latches



VERSION

**V1**



Kod  
Code

**030**

Version

**V1**

Dil  
Cam

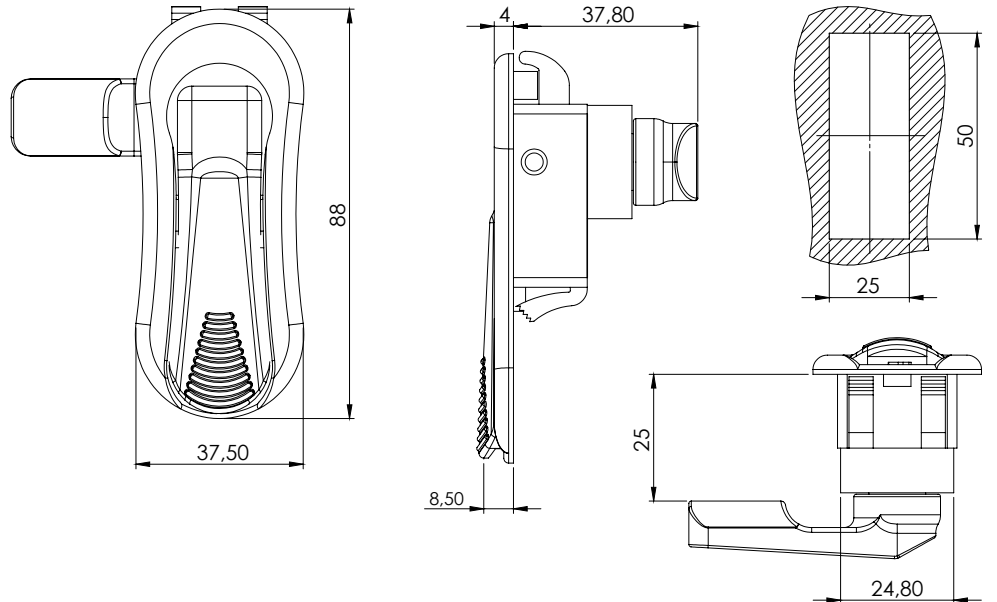
**CM**

		DİLLER / CAMS (CM)									
CODE		011	013	014	016	029	056	057	062	065	034
H		8	0	4	0	-10	4	5	-6	5	0
L		50	44	42	54	48	52	77	52	85	36



VERSION

**V2**



Kod  
Code

**030**

Version

**V2**

**KULLANIM ALANLARI:**

Elektrik Panoları, Makine Kapakları

**APPLICATIONS:**

Electric Panels, Machinery Covers

**MALZEME / MATERIAL**

GÖVDE BODY	Poliamid Polyamide
DİL CAM	Çelik veya Poliamid Steel or Polyamide