

İSPANYOLET KOLLU PANO KİLİTLERİ

SWING HANDLE LOCKS WITH ROD CONTROL SYSTEM

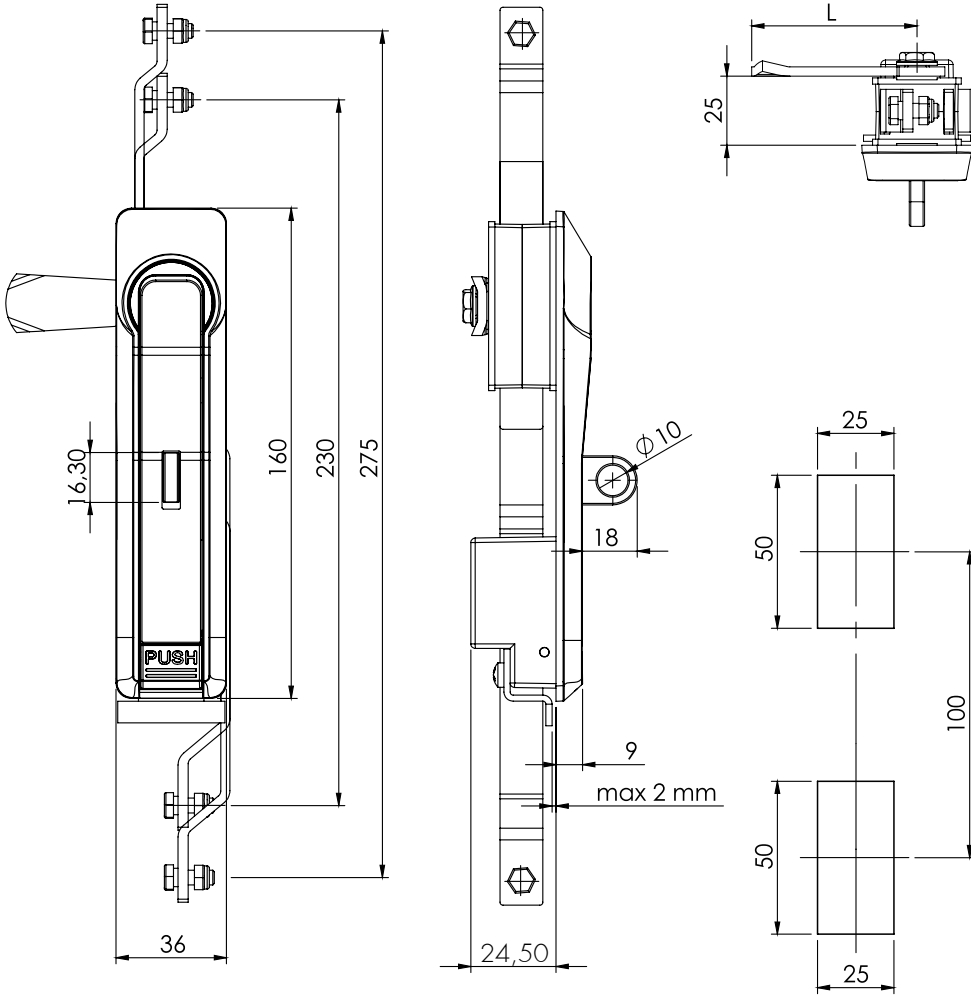
IP65

L / R



Kollu Pano Kilidi / Swing Handle

007-A



Kod Code	Gövde Body	Kol Handle	Mekanizma Mechanism	Dil Cam
007-A	1 F	1 F	M	CM

Yüzy / Finishing
 Malzeme / Material
 Yüzy / Finishing
 Malzeme / Material

KULLANIM ALANLARI:

Elektrik Panoları, Makine Kapakları,
Bilgisayar Kabinleri

APPLICATIONS:

Electric Panels, Machinery Covers,
Rack Cabinets

MALZEME / MATERIAL	CODE
Zamak / Zinc Die	1

MEKANİZMA / MECHANISM	CODE
Zamak / Zinc Die	M1
Poliamid / Polyamide	M2

YÜZEY / FINISHING	CODE
Krom Kaplama / Chrome Plated	1
Siyah Toz Boya / Black Powder Coated	2
Ral 7035 Toz Boya / Ral 7035 Coated	5

TIRNAKSIZ DİLLER / CAMS WITHOUT STOPPER (CM)														
CODE	01	02	05	06	07	08	09	010	019	043	045	046	086	
H	14	24	0	16	6	12	0	7	0	0	4	10	6	
L	48	48	46	46	52	50	54	44	64	44	43	48	62	

MALZEME / MATERIAL	
GÖVDE BODY	Zamak Zinc Die
KOL HANDLE	Zamak Zinc Die
MEKANİZMA MECHANISM	Zamak veya Poliamid Zinc Die or Polyamide
ASMA HAMİL PADLOCK DEVICE	Zamak Zinc Die
DİL CAM	Çelik Steel
CONTA SEAL	Poliüretan Polyurethane