

# YAYLI PANO KİLİTLERİ

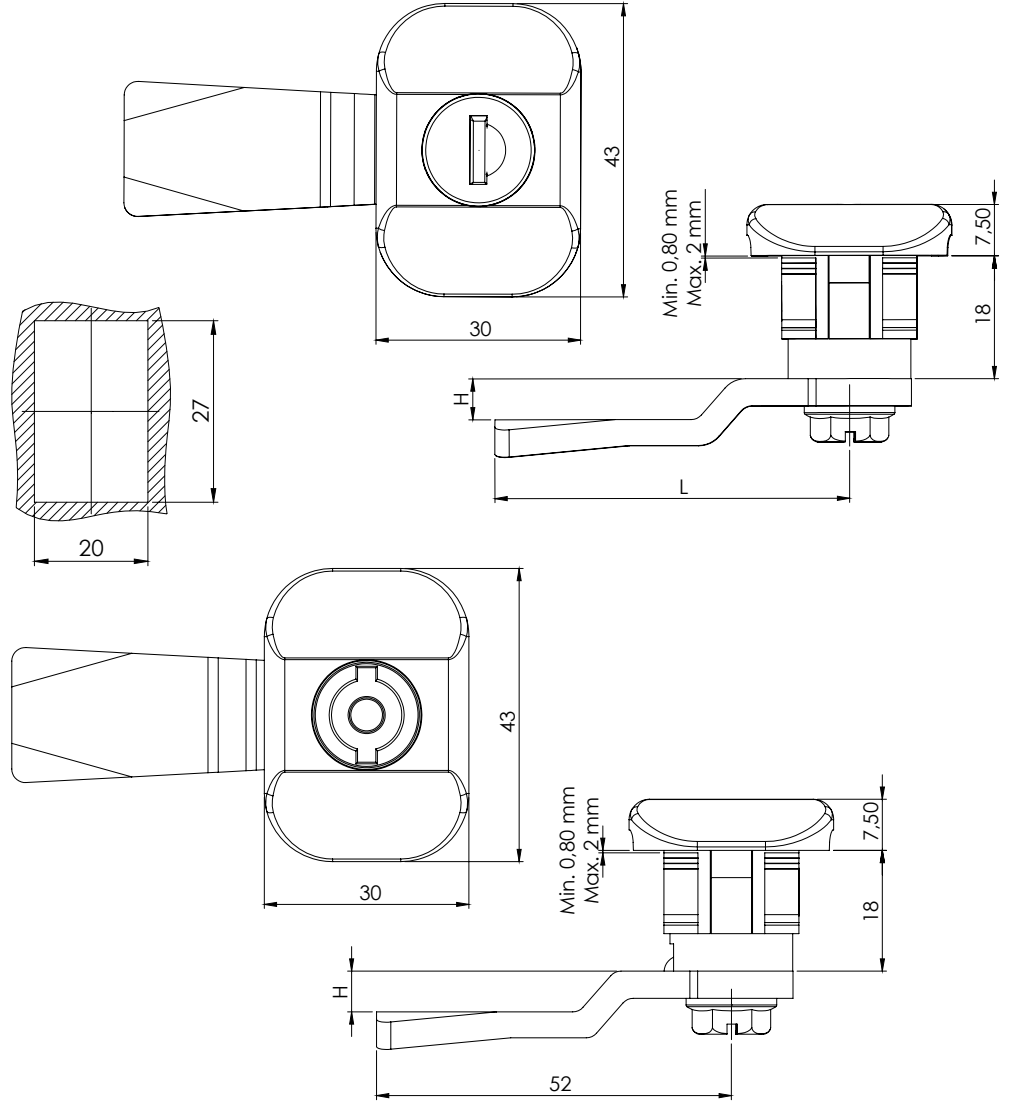
## QUARTER TURN CAM LOCKS

257

Klips Geçmeli Kilit / Snap Type Lock



Tırnaksız Dil  
Without stopper



**KULLANIM ALANLARI:**  
Elektrik Panoları, Makine Kapakları

**APPLICATIONS:**  
Electric Panels, Machinery Covers

MALZEME / MATERIAL	
KOVAN HOUSING	Poliamid Polyamide
GÖBEK INSERT	Zamak Zinc Die
DİL CAM	Çelik Steel

Kod Code  
**257**

Barel Cylinder  
**CC**

Dil Cam  
**CM**

FIŞELİ BAREL / CYLINDER TYPE (CC)	CODE
Aynı Şifre (Birbirini Açar) - Keyed Alike	01
Farklı Şifre / Keyed Different	02
Eurokey (1333)	03

BAREL / CYLINDER (CC)					
3 mm / DB	5 mm / DB	7 mm Üçgen/Triangle	8 mm Üçgen/Triangle	9 mm Üçgen/Triangle	
10	11	15	17	18	
6 mm Kare/Square	7 mm Kare/Square	8 mm Kare/Square	6 mm Allen	8 mm Allen	
21	22	23	29	40	

YÜZEY / FINISHING	CODE
Ral 7032 / Ral 7032	4
Ral 7035 / Ral 7035	5
Ral 9005 Siyah / Ral 9005 Black	6

İSP. TIRNAKLI DİLLER / CAMS FOR ROD CONTROL (CM)						
CODE	03	020	053	054	055	064
H	8	0	0	12	4	0
L	49	51	60	54	52	55

TIRNAKLI / TIRNAKSIZ DİLLER / CAMS WITH AND WITHOUT STOPPER (CM)																				
CODE	01	02	05	06	07	08	09	010	012	018	019	043	045	046	047	052	059	060	061	086
H	14	24	0	16	6	12	0	7	-12	0	0	0	4	10	-4	-2	15	12	5	6
L	48	48	46	46	52	50	54	44	50	29	64	44	43	48	46	52	44	44	45	62